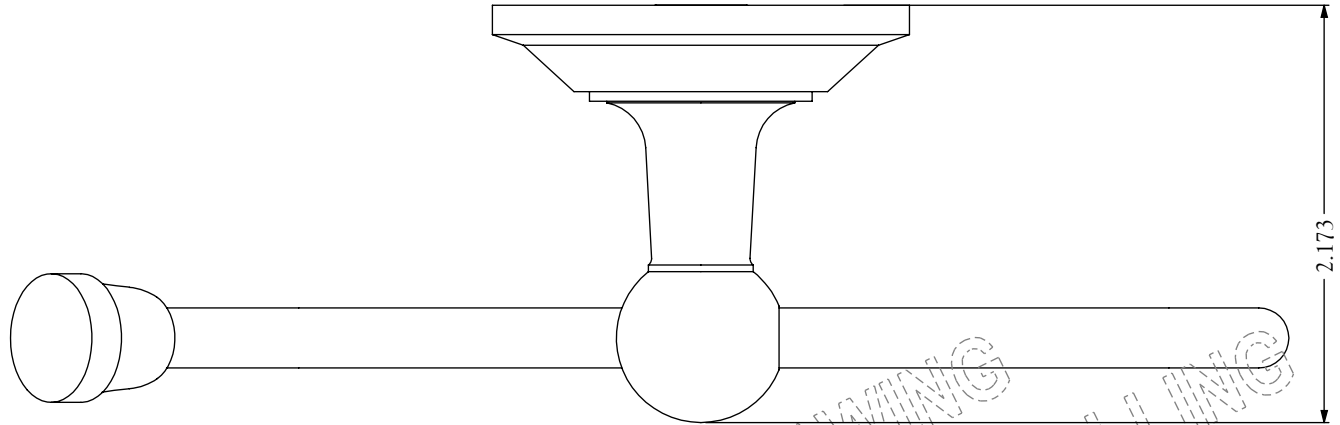
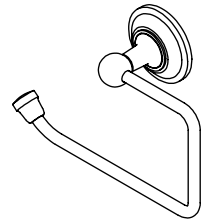
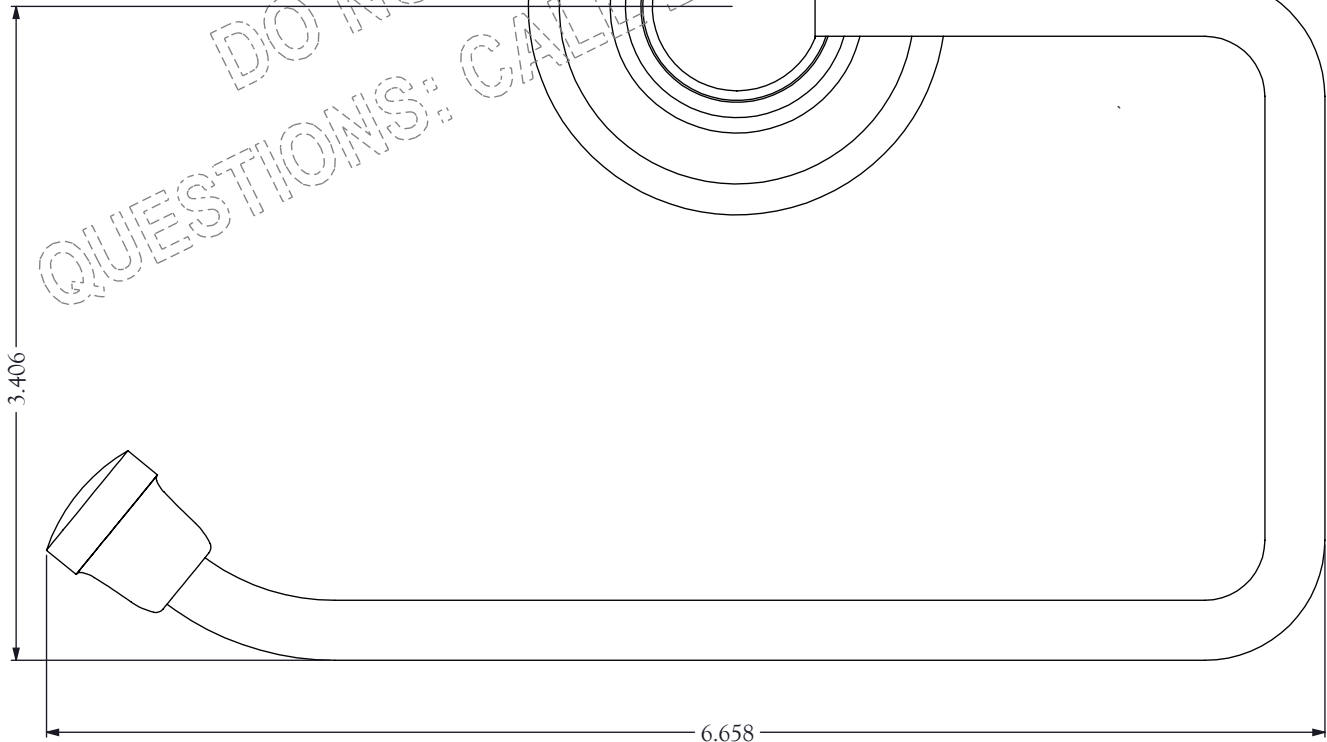


NANZ



Ø2.173



DO NOT SCALE DRAWING
 QUESTIONS: CALL BEFORE INSTALLING

THE NANZ COMPANY 121 VARICK ST NEW YORK 10013 212 367 7000 FAX 212 367 7375 WWW.NANZ.COM		PRODUCT: Roundhaus Paper Holder	
		COMPONENT: Template Drawing	REV: 1.0
DRAWN: RS	DATE: 01-02-24	FILE NAME: AQ-RH-0.19 r1.0	SCALE: 1:1
CHECKED: RD	DATE: 01-03-24	CATALOG NUMBER: AQ-RH-0.19	SHEET: 1 of 1
<small>UNLESS OTHERWISE SPECIFIED, MATERIAL IS BRASS, LENGTHS ARE IN INCHES, ANGLES ARE DEGREE. TOLERANCE: FRACTIONS ±1/32, .XXX±.005, .XX±.01, ANGLES ±1°; HOLE DIAMETERS +.003/-.002; CONCENTRICITY .005 TOTAL INDICATOR READING.</small>			