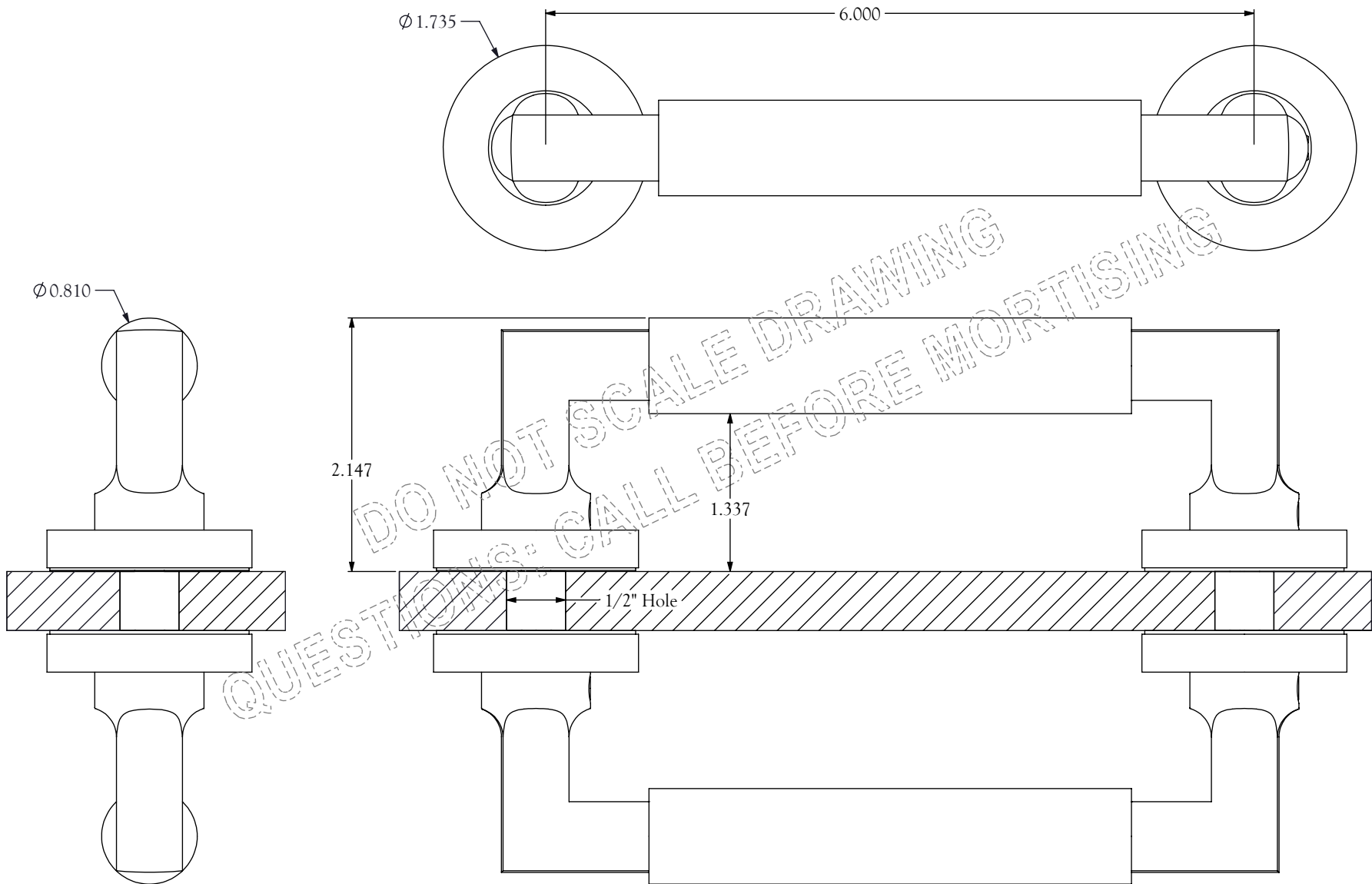


NANZ



THE NANZ COMPANY

121 VARICK ST NEW YORK 10013
212 367 7000 FAX 212 367 7375
WWW.NANZ.COM

PRODUCT: Roundhaus Shower Door Pull Set

COMPONENT: Template Drawing

FILE NAME: AQ-RH-0.24.6 r1.0

CATALOG NUMBER: AQ

DRAWN: RS

CHECKED: RS

DATE: 09-09-24

DATE: 09-09-24

REV: 1.0

SCALE: 4:5

SHEET: 1 of 1

UNLESS OTHERWISE SPECIFIED, MATERIAL IS BRASS, LENGTHS ARE IN INCHES, ANGLES ARE DEGREE. TOLERANCE: FRACTIONS $\pm 1/32$, .XXX \pm .005, .XX \pm .01, ANGLES $\pm 1^\circ$; HOLE DIAMETERS $+ .003/- .002$; CONCENTRICITY .005 TOTAL INDICATOR READING.