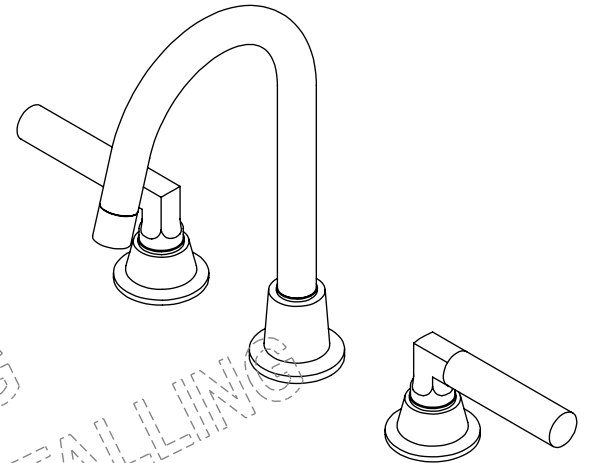
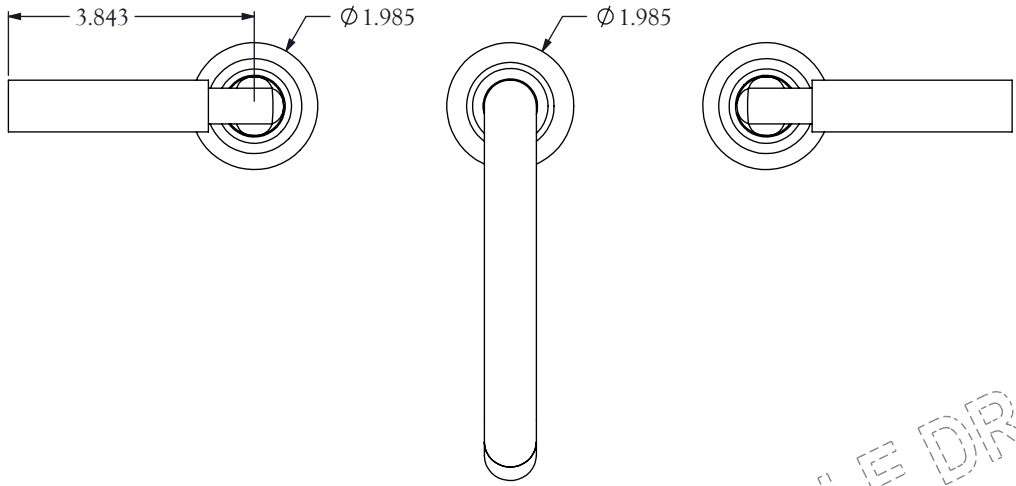
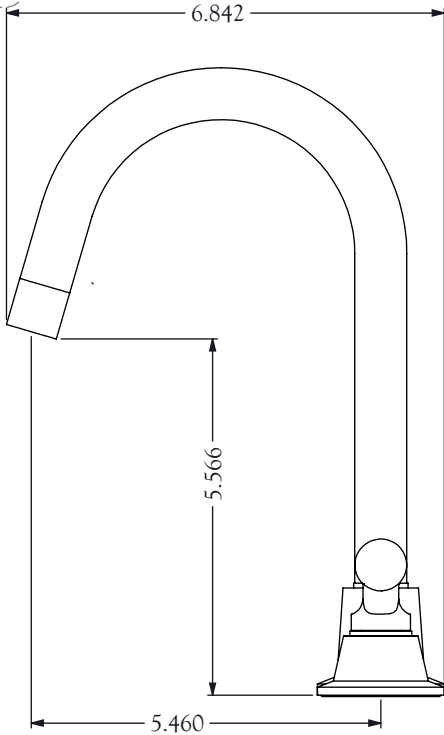
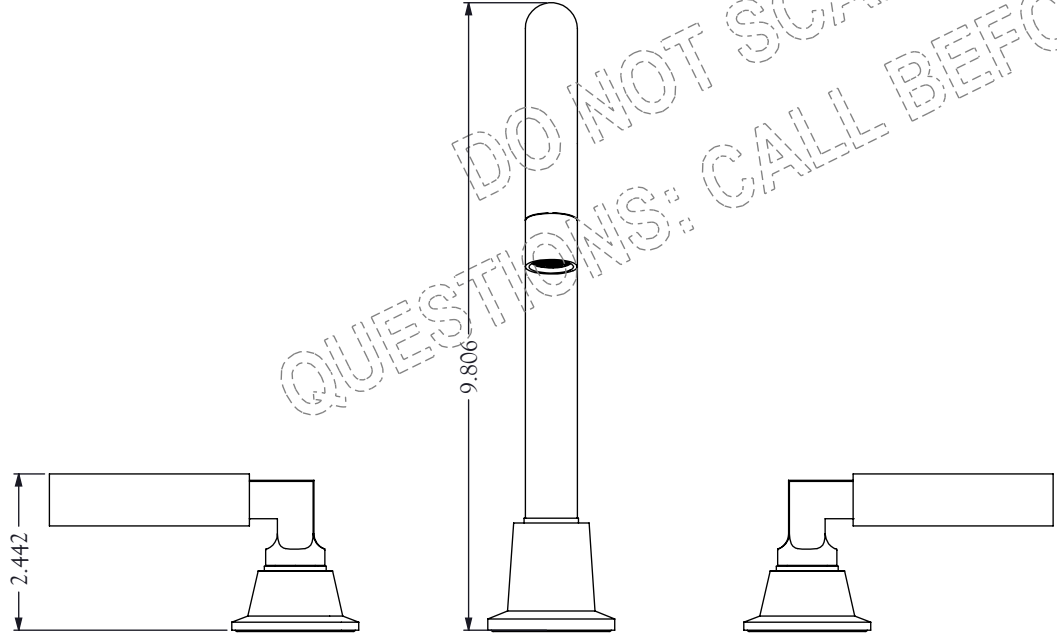


# NANZ



DO NOT SCALE DRAWING  
QUESTIONS: CALL BEFORE INSTALLING



<p><b>THE NANZ COMPANY</b></p> <p>121 VARICK ST NEW YORK 10013 212 367 7000 FAX 212 367 7375 WWW.NANZ.COM</p>	<b>PRODUCT:</b> Roundhaus Deck Mount Basin Set		<b>CATALOG NUMBER:</b> AQ		<b>REV:</b> 1.0	
	<b>COMPONENT:</b> Template Drawing		<b>DRAWN:</b> RS	<b>DATE:</b> 12-11-23	<b>SCALE:</b> 1:3	
	<b>FILE NAME:</b> AQ-RH-1.2-2006 r1.0		<b>CHECKED:</b> RD	<b>DATE:</b> 01-03-24	<b>SHEET:</b> 1 of 1	
	<small>UNLESS OTHERWISE SPECIFIED, MATERIAL IS BRASS. LENGTHS ARE IN INCHES, ANGLES ARE DEGREE. TOLERANCE: FRACTIONS ±1/32, .XXX±.005, .XX±.01, ANGLES ±1°; HOLE DIAMETERS +.003/-0.002; CONCENTRICITY .005 TOTAL INDICATOR READING.</small>					